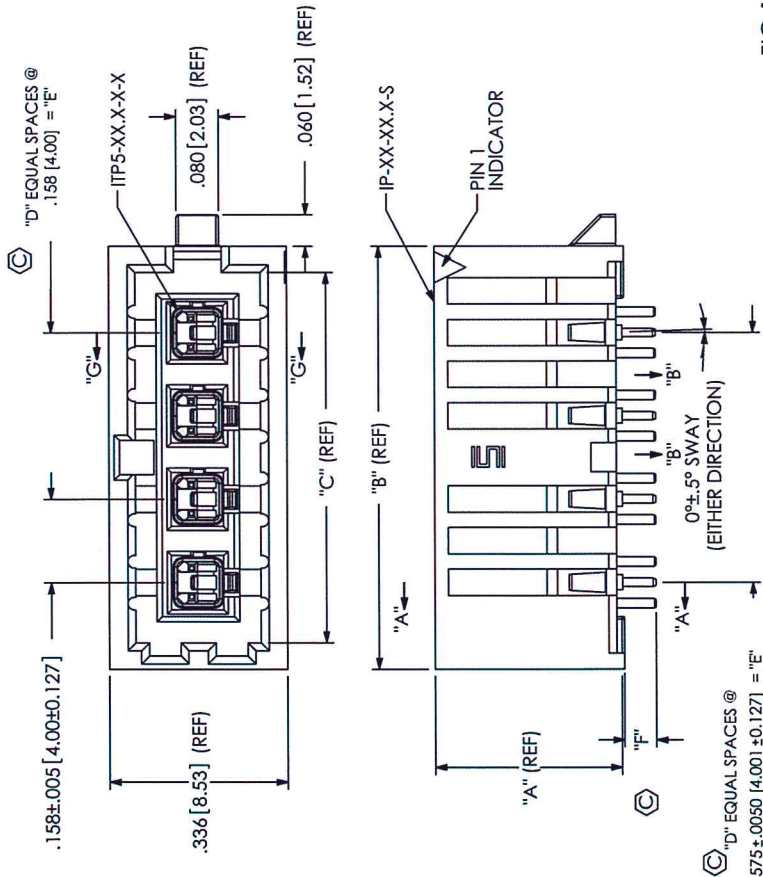


REVISION E



IP5-XX-XX-X-X-X-X-TR

No. OF POSITIONS PER ROW  
 -01: 1 POSITION (SEE NOTE 4)  
 -02: 2 POSITIONS  
 -04: 4 POSITIONS  
 -06: 6 POSITIONS  
 -08: 8 POSITIONS  
 -10: 10 POSITIONS  
 (\*=NOT TOOLED)

LEAD STYLE  
 \*-02.0 (SEE TABLE 1 & 5)  
 \*-03.0 (SEE TABLE 1 & 6)  
 \*-04.0 (SEE TABLE 1 & 6)  
 \*-05.0 (SEE TABLE 1 & 6)  
 \*-06.0 (SEE TABLE 1 & 6)  
 \*-07.0 (SEE TABLE 1 & 6)  
 \*-08.0 (SEE TABLE 1 & 6)  
 \*-09.0 (SEE TABLE 1 & 6)  
 \*-10.0 (SEE TABLE 1 & 6)  
 \*-11.0 (SEE TABLE 1 & 6)  
 (\*=NOT TOOLED)

PACKAGING  
 -TR: TAPE & REEL (SEE NOTE 3)  
 OPTION  
 -L: CABLE LATCH (SEE NOTE 5)  
 TAIL OPTIONS  
 -1: .062" THICK BOARD

ROW  
 -S: SINGLE ROW  
 -D: DOUBLE ROW  
 (SEE NOTE 4)

PLATING OPTIONS  
 -S: 30µ SELECTIVE GOLD IN CONTACT AREA, MATTE TIN ON TAIL  
 -L: 10µ SELECTIVE GOLD IN CONTACT AREA, MATTE TIN ON TAIL

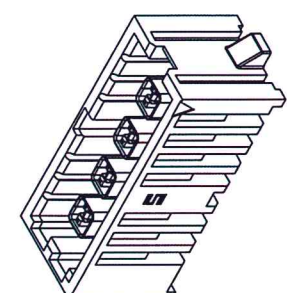
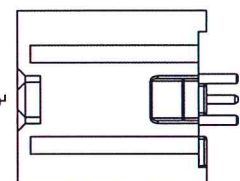


FIG 1  
 (IP5-04-05.0-L-S-X SHOWN)

TABLE 2

| LEAD STYLE | "A" (REF)       | "G" (REF)      |
|------------|-----------------|----------------|
| *-02.0     | 0.2400 [6.095]  | 0.0340 [0.864] |
| *-03.0     | 0.2784 [7.095]  | 0.0734 [1.864] |
| *-04.0     | 0.3187 [8.095]  | 0.1127 [2.864] |
| *-05.0     | 0.3581 [9.095]  | 0.1521 [3.864] |
| *-06.0     | 0.3975 [10.095] | 0.1915 [4.864] |
| *-07.0     | 0.4369 [11.095] | 0.2309 [5.864] |
| *-08.0     | 0.4762 [12.095] | 0.2702 [6.864] |
| *-09.0     | 0.5156 [13.095] | 0.3096 [7.864] |
| *-10.0     | 0.5550 [14.095] | 0.3490 [8.864] |
| *-11.0     | 0.5943 [15.095] | 0.3883 [9.864] |

(\* = NOT TOOLED)

TABLE 1

| IP5 LEAD STYLE    | IP-XXXXX-PH  | IP5-XX-XX-PH  |
|-------------------|--------------|---------------|
| *IP5-XX-02.0-XXXX | IP-XX-02.0-X | *IP5-02.0-XXX |
| *IP5-XX-03.0-XXXX | IP-XX-03.0-X | *IP5-03.0-XXX |
| *IP5-XX-04.0-XXXX | IP-XX-04.0-X | *IP5-04.0-XXX |
| *IP5-XX-05.0-XXXX | IP-XX-05.0-X | *IP5-05.0-XXX |
| *IP5-XX-06.0-XXXX | IP-XX-06.0-X | *IP5-06.0-XXX |
| *IP5-XX-07.0-XXXX | IP-XX-07.0-X | *IP5-07.0-XXX |
| *IP5-XX-08.0-XXXX | IP-XX-08.0-X | *IP5-08.0-XXX |
| *IP5-XX-09.0-XXXX | IP-XX-09.0-X | *IP5-09.0-XXX |
| *IP5-XX-10.0-XXXX | IP-XX-10.0-X | *IP5-10.0-XXX |
| *IP5-XX-11.0-XXXX | IP-XX-11.0-X | *IP5-11.0-XXX |

(\* = NOT TOOLED)

TABLE 3

| No. POS PER ROW | "B" (REF)     | "C" (REF)     | "D" (REF) | "E" +/- .0050   |
|-----------------|---------------|---------------|-----------|-----------------|
| -01             | 0.328 [8.32]  | 0.228 [5.78]  | N/A       | N/A             |
| -02             | 0.485 [12.32] | 0.385 [9.78]  | 1         | 0.1575 [4.001]  |
| -04             | 0.800 [20.32] | 0.700 [17.78] | 3         | 0.4725 [12.003] |
| -06             | 1.115 [28.32] | 1.015 [25.78] | 5         | 0.7875 [20.003] |
| -08             | 1.430 [36.32] | 1.330 [33.78] | 7         | 1.1025 [28.004] |
| *-10            | 1.745 [44.32] | 1.645 [41.78] | 9         | 1.4175 [36.005] |

(\* = NOT TOOLED)

- NOTES:
- ⊙ REPRESENTS A CRITICAL DIMENSION.
  - MINIMUM PUSH OUT FORCE: 5 LBS. [0.23 Kg.]
  - FOR QUANTITIES UP TO 49 PCS. NO LEADER, TRAILER OR REEL WILL BE SUPPLIED. FOR QUANTITIES OF 50 TO 124 PCS. NO LEADER OR TRAILER WILL BE SUPPLIED.
  - 01 POSITION NOT AVAILABLE WITH -D ROW OR -L OPTION.
  - L: CABLE LATCH OPTION ONLY AVAILABLE IN -05.0 LEAD STYLE & -S ROW OPTION.
  - LOAD WELD TAB WITH LANCES FACING INWARD.

TABLE 5

| ASSEMBLED STACK HEIGHT-7MM ONLY | STACK HEIGHT  |
|---------------------------------|---------------|
| U5-XX-05.0-X-X-X-X              | 5.0MM [0.196] |
| IP5 LEAD STYLE                  | STACK HEIGHT  |
| *IP5-XX-02.0-X-X-X-X            | 2.0MM [0.079] |
| *IP5-XX-05.0-X-X-X-X            | 7.0MM [0.275] |

TABLE 6

| ASSEMBLED STACK HEIGHT - 8MM TO 16MM | STACK HEIGHT   |
|--------------------------------------|----------------|
| U5-XX-05.0-X-X-X-GP                  | 5.0MM [0.196]  |
| IP5 LEAD STYLE                       | STACK HEIGHT   |
| *IP5-XX-03.0-X-X-X-X                 | 8.0MM [0.315]  |
| *IP5-XX-04.0-X-X-X-X                 | 9.0MM [0.354]  |
| *IP5-XX-05.0-X-X-X-X                 | 10.0MM [0.394] |
| *IP5-XX-06.0-X-X-X-X                 | 11.0MM [0.433] |
| *IP5-XX-07.0-X-X-X-X                 | 12.0MM [0.472] |
| *IP5-XX-08.0-X-X-X-X                 | 13.0MM [0.512] |
| *IP5-XX-09.0-X-X-X-X                 | 14.0MM [0.551] |
| *IP5-XX-10.0-X-X-X-X                 | 15.0MM [0.591] |
| *IP5-XX-11.0-X-X-X-X                 | 16.0MM [0.630] |

(\* = NOT TOOLED)

UNLESS OTHERWISE SPECIFIED, DIMENSIONS ARE IN INCHES (MILLIMETERS)

TOLERANCES ARE:  
 DECIMALS: ±0.1 [3]  
 ANGLES: 2°  
 .XXX: ±0.05 [13]  
 .XXXX: ±0.030 [076]

PROPRIETARY NOTICE  
 THIS DOCUMENT CONTAINS INFORMATION CONFIDENTIAL AND PROPRIETARY TO SAMTEC. IT IS TO BE KEPT SECRET AND NOT REPRODUCED OR TRANSMITTED IN ANY FORM OR BY ANY MEANS, ELECTRONIC OR MECHANICAL, INCLUDING PHOTOCOPYING, RECORDING, OR BY ANY INFORMATION STORAGE AND RETRIEVAL SYSTEM, WITHOUT THE EXPRESS WRITTEN CONSENT OF SAMTEC, INC.

MATERIAL: DO NOT SCALE DRAWING  
 BODY: HIGH TEMP NYLON, COLOR: BLACK  
 SHIELD: COPPER ALLOY  
 TERMINAL: COPPER ALLOY  
 DIELECTRIC: LCP, COLOR: BLACK

SHEET SCALE: 4:1

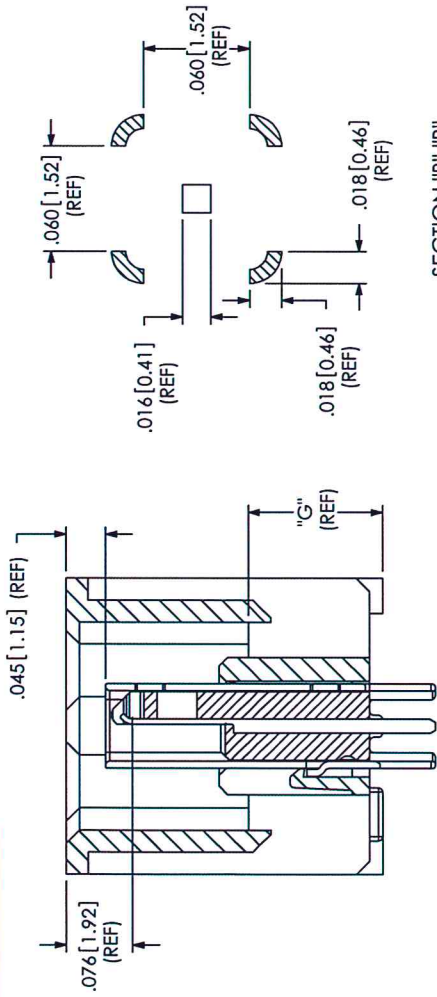
500 PARK EAST BLVD, NEW ALBANY, IN 47150  
 PHONE: 812.344.4733 FAX: 812.948.5077  
 E-MAIL: INFO@SAMTEC.COM CODE: 55322

DESCRIPTION:  
 TERMINAL ARRAY ASSEMBLY, IP5 CONNECTOR

DWG. NO. IP5-XX-XX-X-X-X-X-TR

BY: PIERCE 11/10/2007 SHEET 1 OF 3

REVISION E



SECTION "A"-A"  
SCALE 5:1

SECTION "B"-B"  
SCALE 10:1

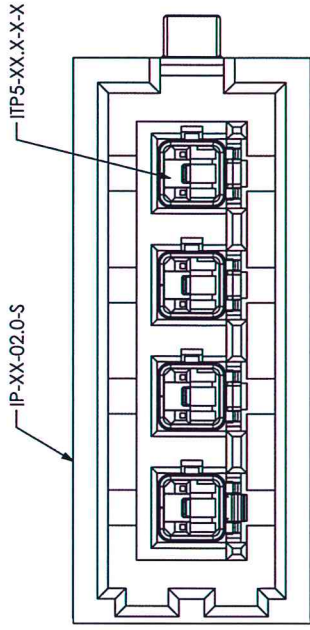


FIG 3  
(IP5-04-02.0-L-SX SHOWN)  
(SAME AS FIG 1, EXCEPT AS SHOWN)

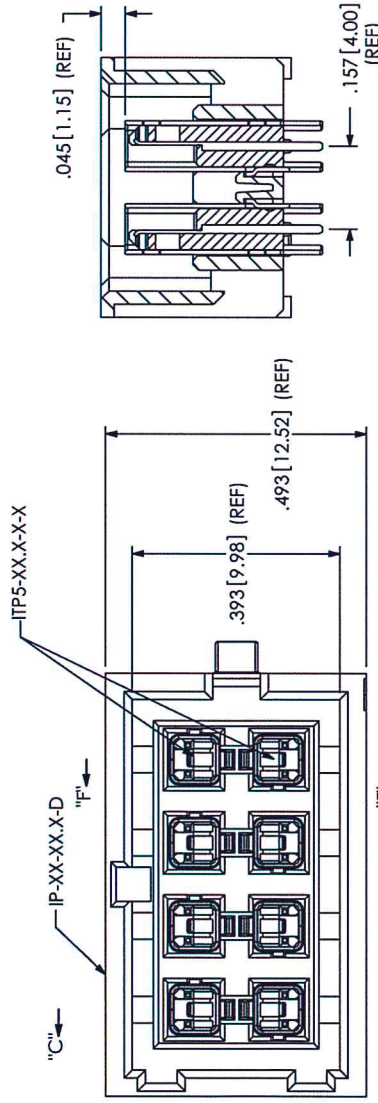
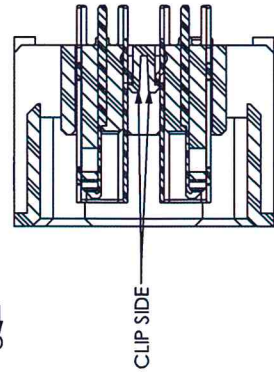


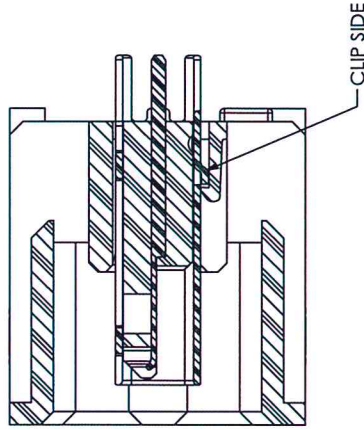
FIG 2  
(IP5-04-XX-X-L-D-X SHOWN)  
(SAME AS FIG 1, EXCEPT AS SHOWN)

SECTION "C"-C"  
SCALE 3:1

SECTION "G"-G"  
SCALE 5:1



SECTION "F"-F"  
SCALE 3:1



PROPRIETARY NOTE  
THIS DOCUMENT CONTAINS INFORMATION  
CONFIDENTIAL AND PROPRIETARY TO  
SAMTEC, INC. AND SHALL NOT BE REPRODUCED  
OR TRANSMITTED IN ANY FORM OR BY ANY  
MEANS, ELECTRONIC OR MECHANICAL, FOR  
DISCLOSURE TO OTHERS OR USED FOR ANY  
PURPOSE OTHER THAN THAT WHICH IT WAS  
OBTAINED WITHOUT THE EXPRESSED WRITTEN  
CONSENT OF SAMTEC, INC.

DO NOT SCALE DRAWING

SHEET SCALE: 4:1

**samtec**

520 PARK EAST BLVD., NEW ALBANY, IN. 47150  
PHONE: 812-944-4732 FAX: 812-948-5017  
E-MAIL: INFO@SAMTEC.COM CODE: 55322

DESCRIPTION:  
TERMINAL ARRAY ASSEMBLY, IP5 CONNECTOR

DWG. NO.

IP5-XX-XX-X-X-X-X-IR

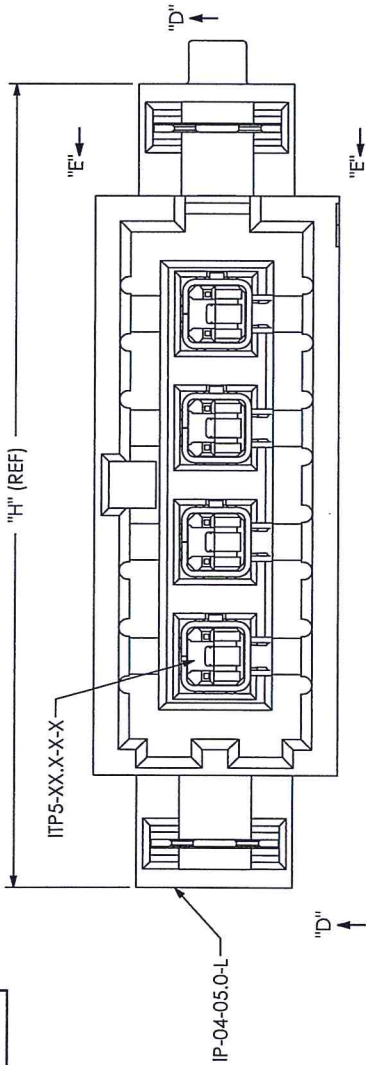
BY: PIERCE

11/10/2007

SHEET 2 OF 3



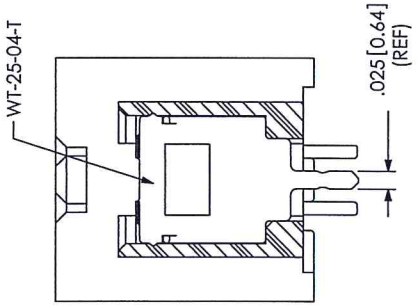
REVISION E



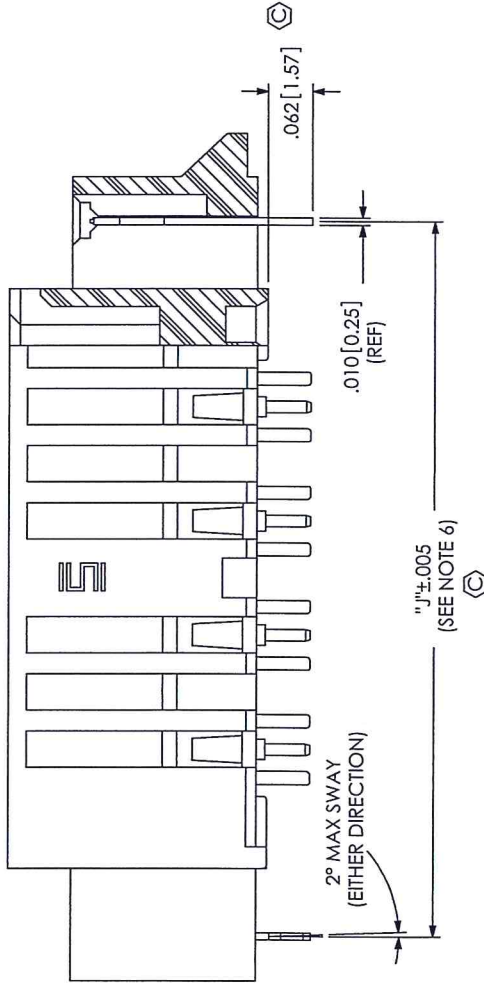
**TABLE 7**

| POS  | "H" (REF)     | "J"           |
|------|---------------|---------------|
| *-01 | 0.638 [16.19] | 0.515 [13.07] |
| -02  | 0.795 [20.19] | 0.672 [17.07] |
| -04  | 1.110 [28.19] | 0.987 [25.07] |
| -06  | 1.425 [36.20] | 1.302 [33.08] |
| -08  | 1.740 [44.20] | 1.617 [41.08] |
| *-10 | 2.055 [52.20] | 1.932 [49.08] |

(\* = NOT TOOLED)



SECTION "E"- "E"



SECTION "D"- "D"

**FIG 4**  
 (IP5-04-05.0-L-S-X-L SHOWN)  
 (SAME AS FIG 1, EXCEPT AS SHOWN)

Il supporto tecnico al RUP

Ing. Federico Perini

Firma autografa sostituita a mezzo stampa ai sensi dell'art. 3 comma 2 del D.Lgs. n. 39/1993

**PROPRIETARY NOTE**  
 THIS DOCUMENT CONTAINS INFORMATION CONFIDENTIAL AND PROPRIETARY TO SAMTEC, INC. AND SHALL NOT BE REPRODUCED OR TRANSFERRED TO OTHER DOCUMENTS OR DISCLOSED TO OTHERS OR USED FOR ANY PURPOSES OTHER THAN THAT AUTHORIZED BY THE EXPRESS WRITTEN CONSENT OF SAMTEC, INC.

DO NOT SCALE DRAWING

SHEET SCALE: 4:1

**samtec**

520 PARK EAST BLVD, NEW ALBANY, IN 47150  
 PHONE: 812-944-6733 FAX: 812-948-5047  
 e-Mail: info@SAMTEC.com code: 55322

DESCRIPTION:  
 TERMINAL ARRAY ASSEMBLY, IP5 CONNECTOR

DWG. NO. **IP5-XX-XX-X-X-X-X-TR**

BY: PIERCE 11/10/2007 SHEET 3 OF 3